

Surge Box™

Surge Protective Device

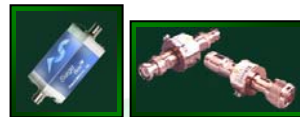
Power Line SPD



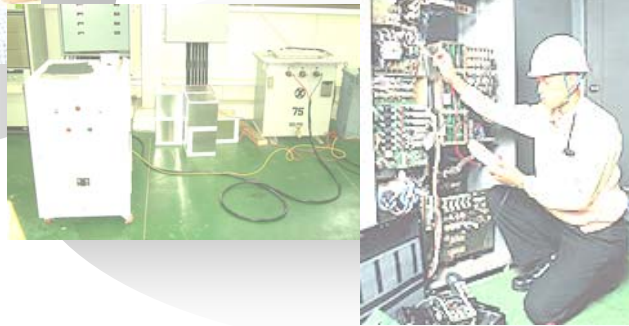
Data Line SPD



Coaxial Line SPD



Surge Protective Device



Our complete SPD product solutions address a multitude of applications for power, telephony and data line protection for use in central base, building entrances, transportation, industrial process control and military.

✓ Types of Surges

- ▶ Direct Lightning
- ▶ Indirect Lightning
- ▶ Induced Lightning
- ▶ Switching Surge

✓ Invasion Routes of Surges

- ▶ From Power Lines
- ▶ From Signal/Data Lines
- ▶ From Earthing System

✓ Applications of SPDs

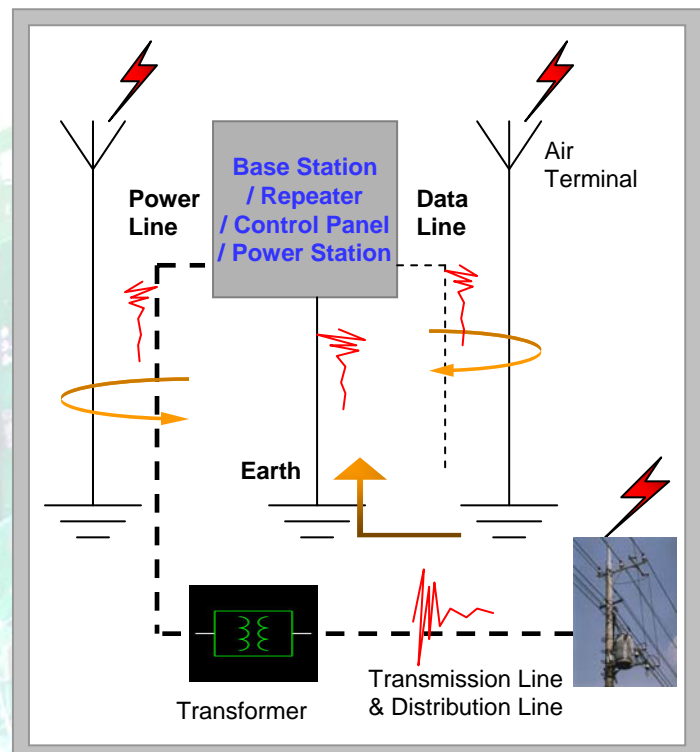
- Electric Distribution Panel
- Secondary of Power Transformer
- Control Panel of Electric Equipments
- I/O Interfaces of Communication Equipments

✓ Recommends of SPDs application

- KS C IEC 61643-1, 61643-12, 61643-21
- KS C IEC 61312-1
- KS C IEC 61024-1, 61024-1-1, 61024-1-2
- KS C IEC 60364-4-443
- IEEE C62.41
- UL 1449 / 497

✓ Improved Safety Performance

- Surge rating Over Current Fusing System
- Surge rating Thermal Cutoff Fusing System
- Double Fusing Thermal Runaway Protections



서지보호장치 (SPD / TVSS)

✓ 서지(Surge)의 종류

- ▶ 직격뢰 (Direct Lightning)
- ▶ 간접뢰 (Indirect Lightning)
- ▶ 유도뢰 (Induced Lightning)
- ▶ 개폐서지 (Switching Surge)

✓ 서지(Surge)의 유입경로

- ▶ 전원선로 (AC/DC)
- ▶ 통신/데이터 선로
- ▶ 접지계통

✓ SurgeBox™의 적용장소

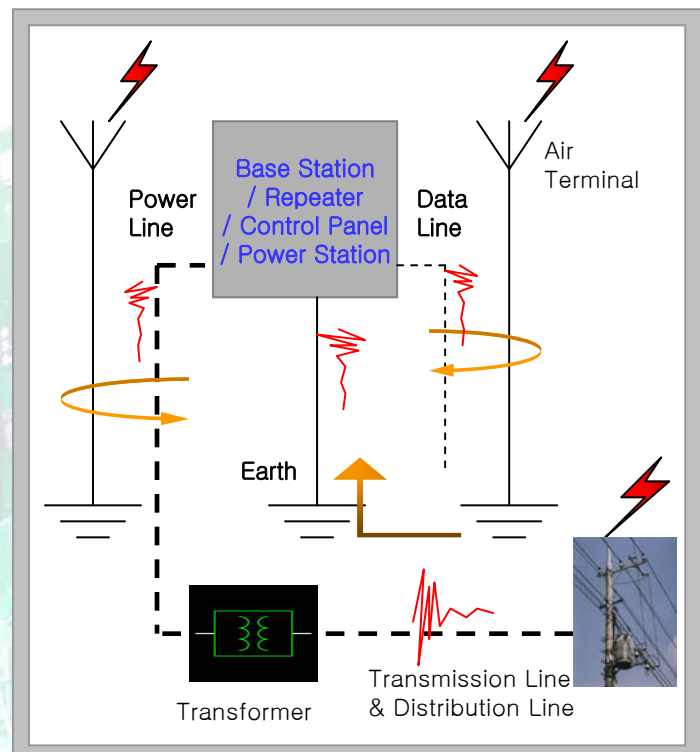
- 통신기지국 등의 AC 분전반
- 수변전실 저압반
- 각종 공용설비실 내의 제어반 전원
- 주요 보호대상 장비의 전원 및 통신단자
- 통신 및 데이터 선로의 인입출구 단자함

✓ SPD의 적용규격

- KS C IEC 61643-1, 61643-12, 61643-21
- KS C IEC 61312-1
- KS C IEC 61024-1, 61024-1-1, 61024-1-2
- KS C IEC 60364-4-443
- IEEE C62.41
- UL 1449 / 497

✓ 2중 안전 Back-up 기능을 구현한 SPD

- Surge rating Over Current Fusing System
- Surge rating Thermal Cutoff Fusing System
- 실용신안 2건 / 특허 1건





*Compact-sized SPD
with High Energy Current Capacity*

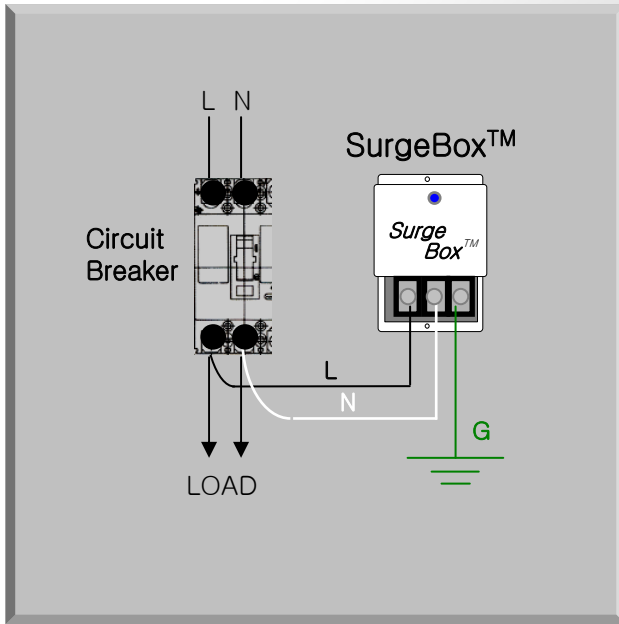


SurgeBox™ for Single-Phase AC Lines

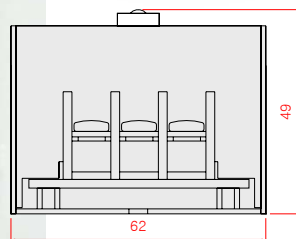
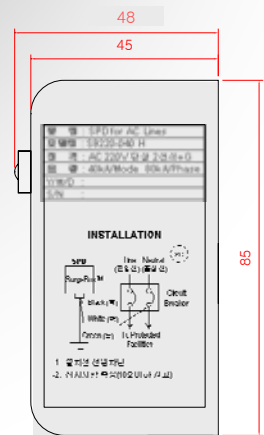
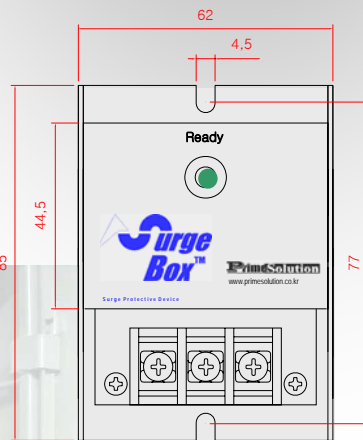
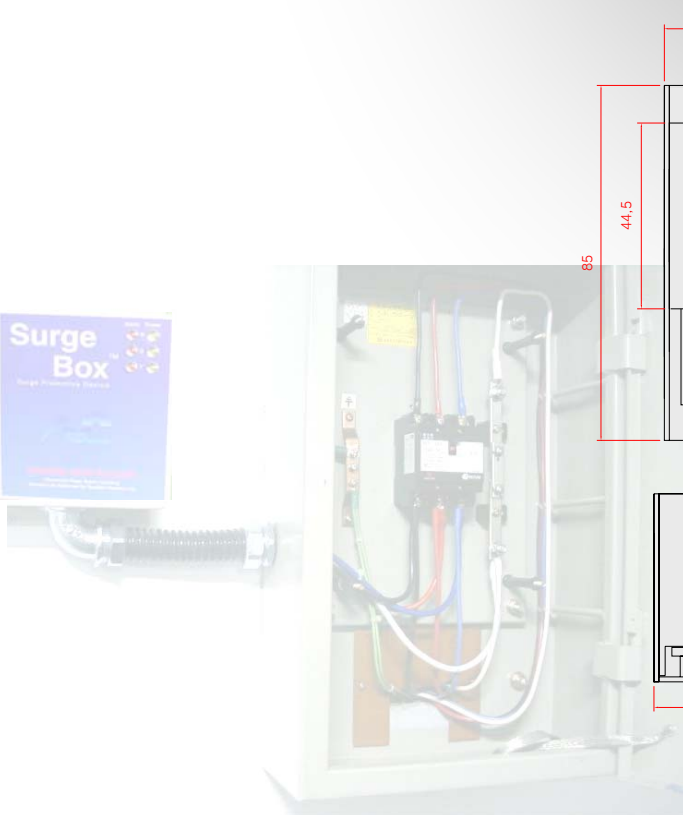
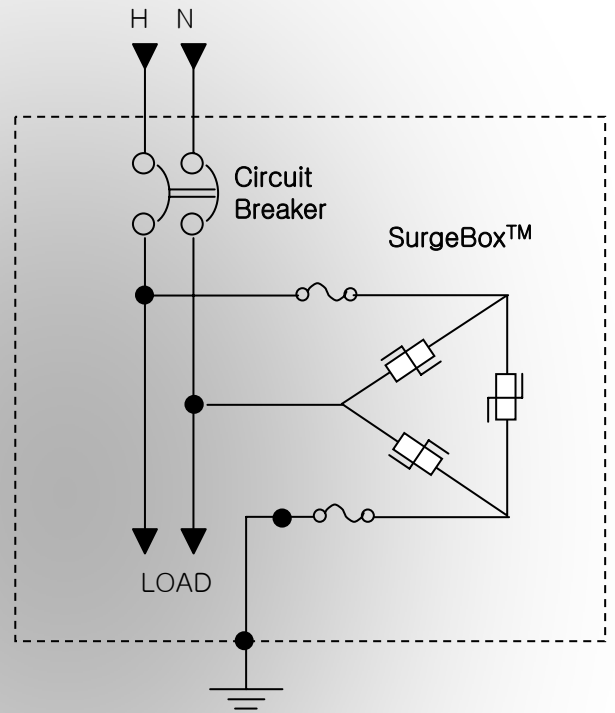
- SPECIFICATION -

Model		SB110-020H	SB220-020H
Rated System Voltage		Single-Phase 110V - 2W+G	Single-Phase 220V - 2W+G
Rated System Frequency		50/60Hz	
Connection Method		Parallel Connection Type	
Operating Temperature		-40 °C ~ 70 °C	
Storage Temperature		-40 °C ~ 85 °C	
Max. Operating Altitude		5,000 meters	
Max. Surge Current Capacity		60kA / Total (20kA X 3-mode)	
Protection Mode		L-N, L-G, N-G (Full Mode)	
MCOV		150Vac	275Vac
Suppression Voltage Level	L-N, L-G, N-G	500V @6kV/3kA (ANSI/IEEE c62.41 cat B3/C1)	900V @6kV/3kA (ANSI/IEEE c62.41 cat B3/C1)
		900V @20kV/10kA (ANSI/IEEE c62.41 cat C3)	1500V @20kV/10kA (ANSI/IEEE c62.41 cat C3)
Response Time		< 5 nano-seconds	
Surge Energy Capability (2ms)		435 Joule	660 Joule
Diagnostics		Green Status LEDs (Ready)	
Dimensions (WxHxD)		62 x 85 x 48mm	
Product Weight		0.28 kg	
Fuse type Rating		Thermal Runaway Fusing Protection	

- INSTALLATION -



- CIRCUIT DIAGRAM -



- DIMENSION -

